

**Product Codes**

**Seats:**

KON721-S1: Single seat  
KON721-S2: Double seat

**Backs:**

KON721-B1: Single low back  
KON721-B2: Double low back  
KON721-B3: Single high back

**Specifications**

**Guarantee**

5 years

**Indicative Weight Rating**

300kg (per module)

**Indicative Sitting Hours**

8+

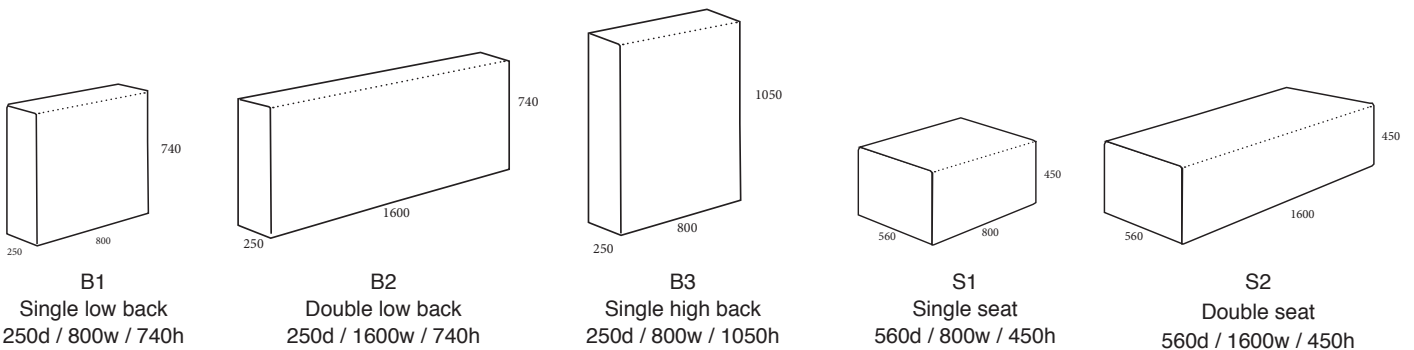
**Seat height (MM)**

450

**Features**

- Promotes communication and learning
- Promotes creativity
- Modular options to optimise use of the workplace
- Heavy duty inner frame construction
- High density soft pile foam (meets CA 117 Section A Part I & Section D Part II)
- Customer Specified fabric
- Optional contrasting upholstery available
- Full 5 year guarantee (excluding upholstery)
- Customer specified seat & back height options (MOQ's & extended lead times may apply)

**Dimensions (MM)**



Double Seat, with Single Low Back  
1. RHS when seated  
2. LHS when seated



## Materials Analysis

### Recyclable after use

88.2%

### Konfurb Block

Fabric Meterage (1.5m wide)

### Konfurb Block

Double seat / Single back

**KON721-B1** 2.3

**KON721-B2** 4.0

**KON721-B3** 2.3

**KON721-S1** 2.1

**KON721-S2** 3.3

Material Type	Chair Component	% Recycled Content	% Recyclable After Use
Plywood (78.4%)	• Plywood (24kg)	0%	<b>88.2%</b> Recyclable
Foam (9.8%)	• Foam (3kg)	0%	
Upholstery (11.8%)	• Upholstery Fabric (3.6kg)	0%	<b>11.8%</b> Non-Recyclable
Packaging (100%)	<ul style="list-style-type: none"> <li>• Cardboard Carton &amp; Internal Packaging (1kg)</li> <li>• Plastic Bag (0.1kg)</li> <li>• Recycled Paper (0.1kg)</li> <li>• Strapping</li> <li>• Tape (0.05kg)</li> </ul>	<ul style="list-style-type: none"> <li>88%</li> <li>0%</li> <li>90%</li> <li>0%</li> <li>0%</li> </ul>	<b>100%</b> Recyclable